

## CODE READER FQ-CR SERIES

Exceptional Reading Performance with Easy Operation



Multi Code Reader  
FQ-CR1 Series

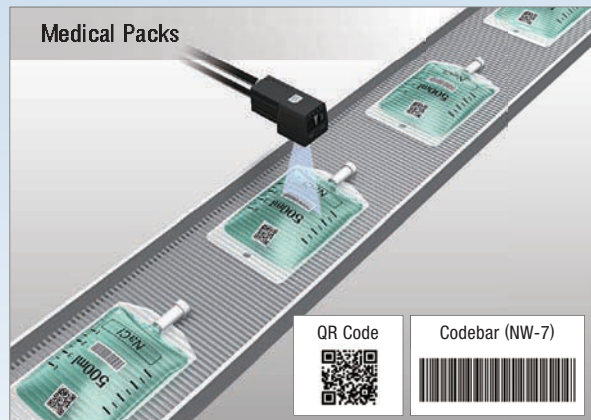
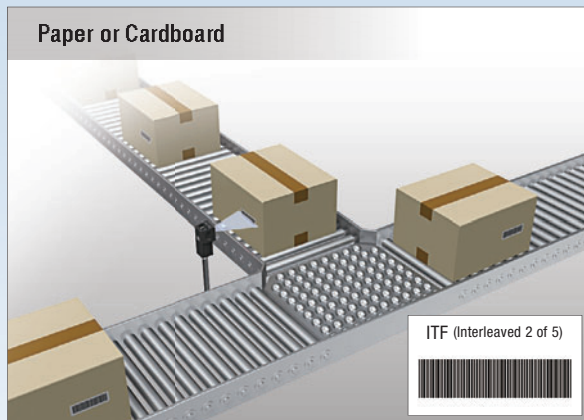
2D Code Reader for Direct Part Marking codes  
FQ-CR2 Series

» Read from everything from paper and labels to metal, PCBs, and glass for a wide range of applications.

# Solve a variety off different applications with one product series

## Read Codes Printed on Paper or Labels

Multi Code Reader **FQ CR1** Series



## Reads 14 Different Codes

**FQ CR1**

Many different codes are used for different applications. And for some products, different codes are printed together. The FQ-CR1 can read many different codes without requiring any changes to its settings.

<b>Barcodes:</b> Reads 9 different codes.	JAN/EAN/UPC	Code39	Codabar (NW-7)
	ITF (Interleaved 2 of 5)	Code93	Code128 / GS1-128
	GS1-DataBar	GS1-128 Composite Code	Pharmacode
<b>2D codes:</b> Reads 5 different codes.	Data Matrix	QR Code	Micro QR Code
	PDF417	Micro PDF417	

• QR code is the registered trademark of DENSO WAVE.

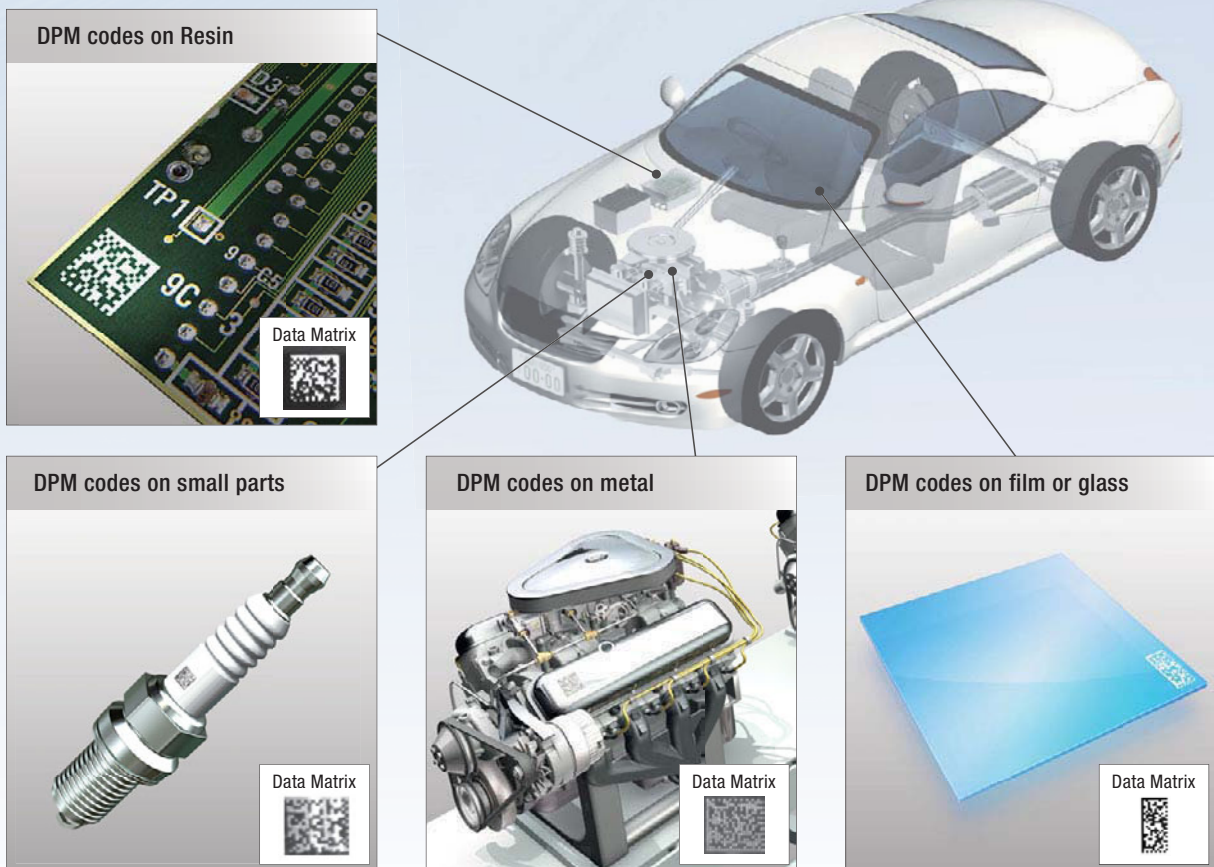
There are many instances when different barcode or 2D code systems are used together in the same manufacturing process. Code printing quality can also vary due to imperfect printing or low contrast.

The FQ-CR Series handles these and many other conditions.

The FQ-CR Series can be easily introduced without using different code readers and operating procedures for each of the different processes.

## Reads Direct Part Marking (DPM) Codes

2D Code Reader for Direct Part Marking (DPM) codes **FQ-CR2 Series**



## Easily reads difficult codes

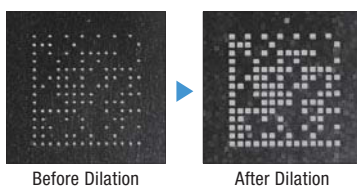
**FQ-CR2**

Just read the code and register it, and then let the following functions automatically tune the settings.

Depending on the conditions of the code, the automatic retry and code error correction functions let, essentially anyone, easily adjust the settings.

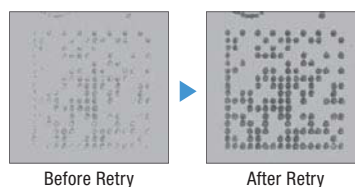
### Filter function

Three stages of filtering are automatically selected for the read image from Smooth, Dilate, Erosion, and Median filtering.



### Retry function

You can retry the settings until reading is successful while automatically changing the exposure time and other reading parameters.



### Code Error Correction

Code omissions and errors are automatically corrected when the code is read.



# OMRON's Unique Algorithm Provides Superior Reading Ability for Direct Part Marking codes



Removal of Printing Irregularities or Noise

## Filter function

You can apply up to three of the four unique filters developed by OMRON in the desired order to remove printing irregularities and noise, in order to achieve a stable reading.

### Types of Filtering

<b>Smooth</b>	Smooths the image.	<b>Erosion</b>	For white codes, reduces the cell size. Effective for reading separated dot codes.
<b>Dilate</b>	For white codes, increases the cell size. Effective for reading codes with cell spreading.	<b>Median</b>	Removes noise.

### Combining Filtering

Erosion and dilation can be combined to connect dots without changing the dot thickness.



# Reading

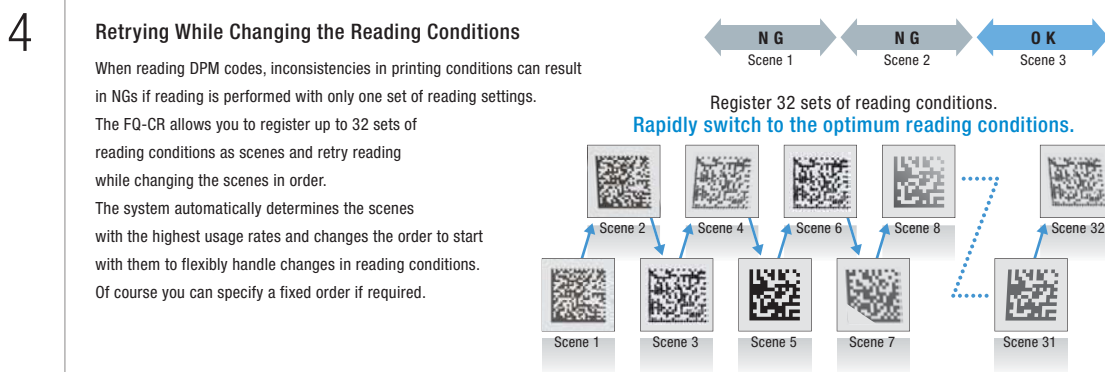
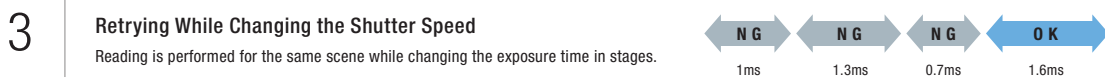
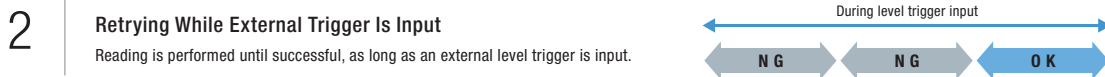
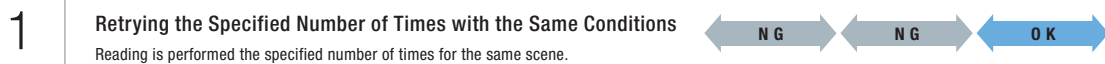


Automatic Parameter Adjustment Until Reading is Successful

## Retry function

Code Readers must be able to read codes even for poor printing conditions. You can automatically retry reading while changing the exposure time and other reading conditions, even for changing workpieces or environments, to enable a stable reading.

The following retry functions are provided.



Easy Confirmation of Code Quality

## Code Error Correction Position Display

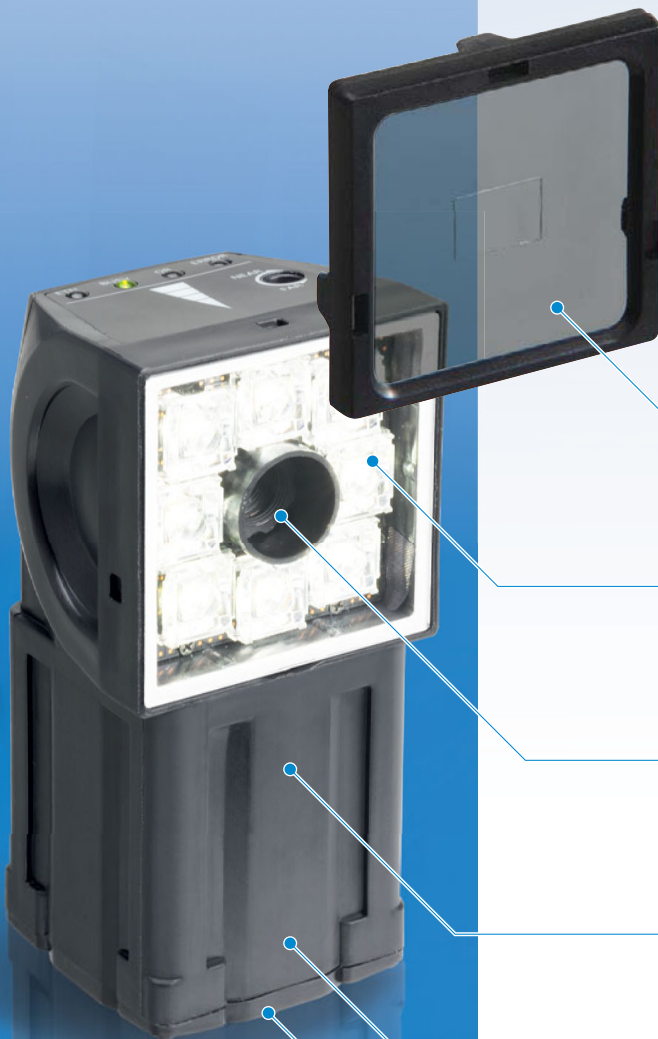
Red circles are displayed on cells for which the code was corrected on the display. This clearly shows where the code quality was poor.



FQ-CR1

FQ-CR2

## Stable Reading Functions Packed into a Compact Body



Actual Size

### Polarization filter

Cuts specular reflections.

### High power LEDs

Four times the brightness of previous models.

### Lens and Camera

simple fine tuning of camera focus.

### Decoder

Built-in HDR function.

### Robust housing: IP67

### Ethernet Output

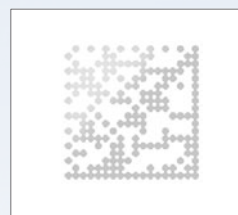
Output read codes on Ethernet.

## Detection and Connection

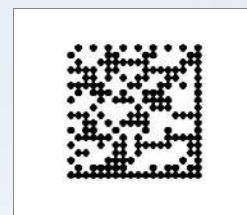
Reads Codes Even with Low Contrast

### High-power LEDs

The wider the field of view, the more difficult it is to maintain consistent lighting within the field, causing errors in reading. The built-in LEDs of the FQ-CR Series use a unique OMRON DR optical system for effective light usage to maintain consistent lighting within the field of vision at a brightness that is four times that of previous models.



Previous Lighting



High-power Lighting

Cuts Light Interference

### HDR Function

The HDR (high dynamic range) function minimizes the influence of changes in lighting conditions and light reflection. This enables stable inspections even for materials that are difficult to light evenly, such as metal parts or glossy films, or in locations subject to external light interference.



Halation



Stable Detection for Metal Surfaces Subject to Gloss and Inconsistent Lighting

Cuts Specular Reflections

### Polarizing Filter

A polarizing filter is included to cut specular reflection from glossy surfaces. This enables stable code reading even for metallic or other glossy surfaces.



Without Polarizing Filter

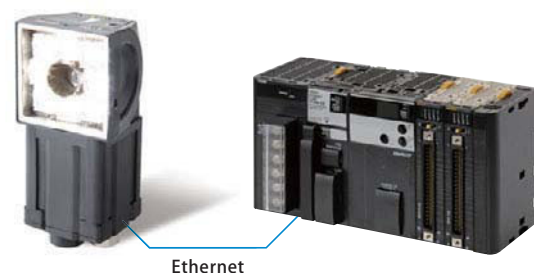


With Polarizing Filter

Communications with Host Devices

### Ethernet Connection

The compact body also provides an Ethernet connector so that you can transfer read data and images via Ethernet. Smoothly transfer data to PLCs, computers, or other host devices.



Ethernet

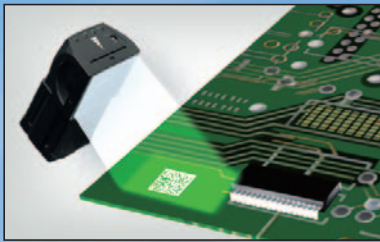
## Essentially, Simple Enough for Anyone to Set Up

Setup is as easy as displaying codes on the monitor and registering settings with a simple procedure. Then, the FQ-CR will automatically tune the settings to achieve the optimum conditions.

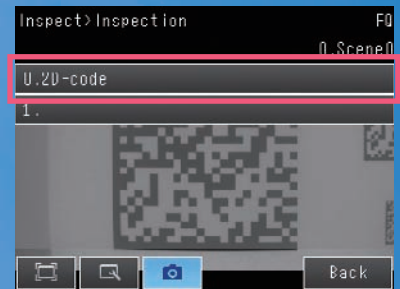
You can automatically tune all of these reading conditions just by making the basic settings.

### Optimum Tuning in Three Steps

#### Read a code.



#### Select the type of code.



Touch Finder

### Two Set-up Tools

Use the convenient Touch Finder for on-site settings and control panel installations, or use a set-up tool on a computer.



TouchFinder for PC (Free)

After purchasing the Code Reader, you can download the TouchFinder for PC free from the member's website.



## Set-up and Adjustment

Exposure Time

Gain

Dynamic Range

Filtering

Press the TEACH Button.



Check to see if the conditions are correct as a reference.



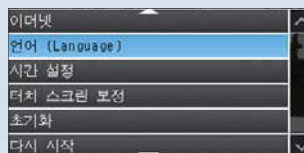
END

### Menu Displays in Nine Languages

The nine language support for menus means that you can easily introduce systems into factory sites in other countries.

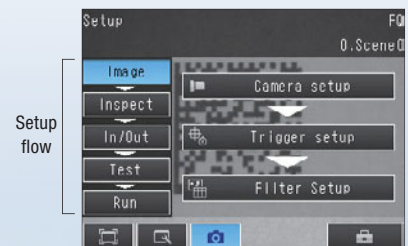
In addition, you can easily change the language on a menu.

- |                     |         |
|---------------------|---------|
| English             | German  |
| Japanese            | French  |
| Traditional Chinese | Italian |
| Simplified Chinese  | Spanish |
| Korean              |         |



### Operation Navigation

Navigation menus for operating procedures from image adjustment through to testing and starting operation are provided so that even beginners can operate the Code Reader.



FQ-CR1

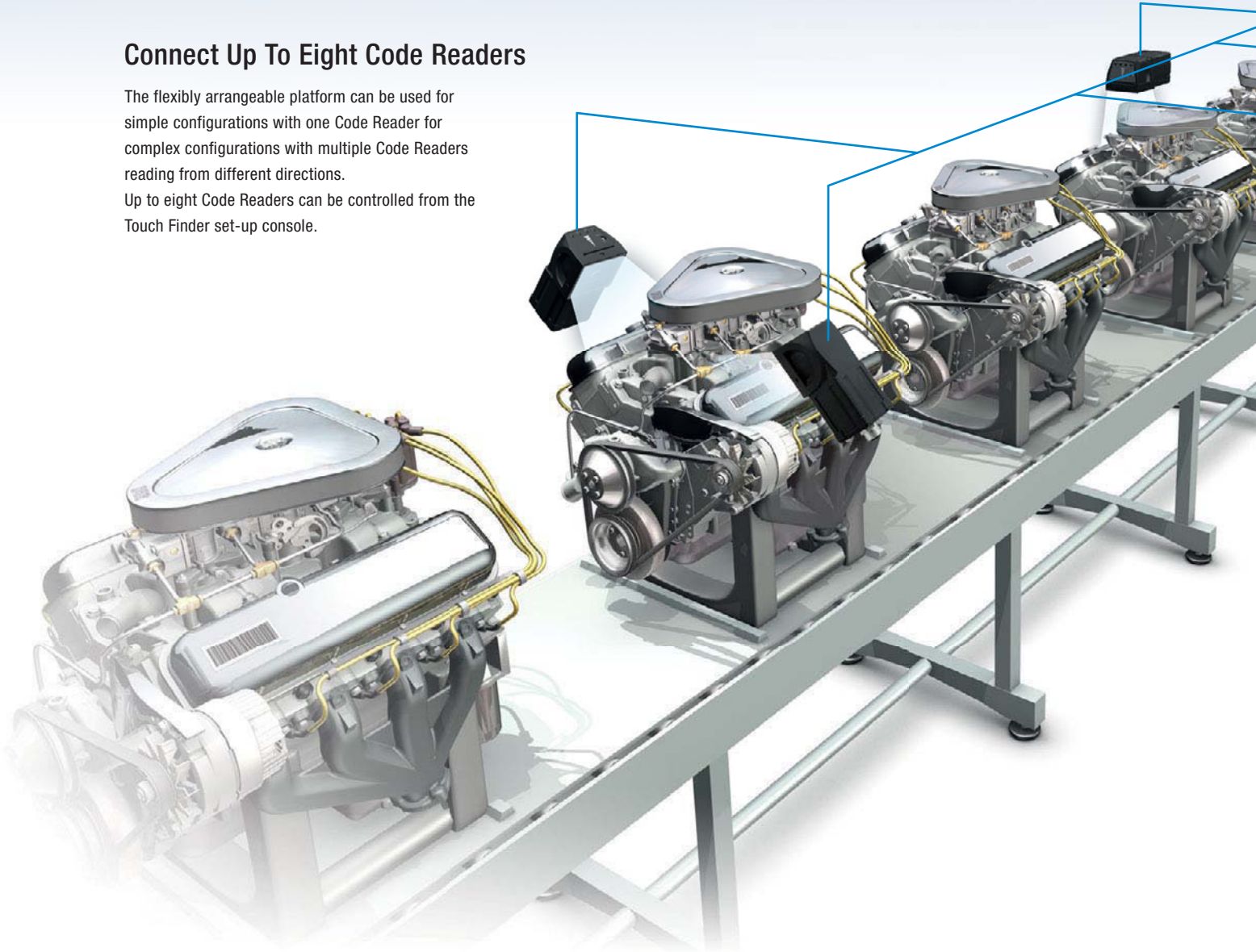
FQ-CR2

# Flexible System Configuration

## Connect Up To Eight Code Readers

The flexibly arrangeable platform can be used for simple configurations with one Code Reader for complex configurations with multiple Code Readers reading from different directions.

Up to eight Code Readers can be controlled from the Touch Finder set-up console.



## Code Quality Management

The FQ-CR2 contains state-of-the-art algorithms that enable the reading of codes even with poor reading quality. However, even if the code quality continues to deteriorate for some reason, auto-correction and retrying are used to enable reading, making it impossible to tell where quality was lost simply from the OK/NG reading information. Here, you can use the cell recognition rate information. The cell recognition rate changes with code printing quality, position inconsistency, installation conditions, and noise. You can log the cell recognition rate and image together to manage quality trends. The logging of recent results is useful for testing when commissioning a line. Run through some sample products and log the cell recognition rate. You can then display the results in a time-based graph to see how much leeway there is in reading performance.

\* For the FQ-CR1, the number of detected characters is logged instead of the cell recognition rate.

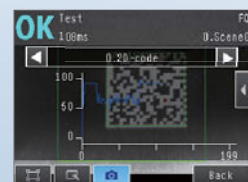
### File Logging



#### SD Card

Cell recognition rate  
Up to 10 million measurement values or more  
(for a 4-GB SD card)  
Up to 10,000 images or more  
(for a 4-GB SD card)

### Logging of Recent Results



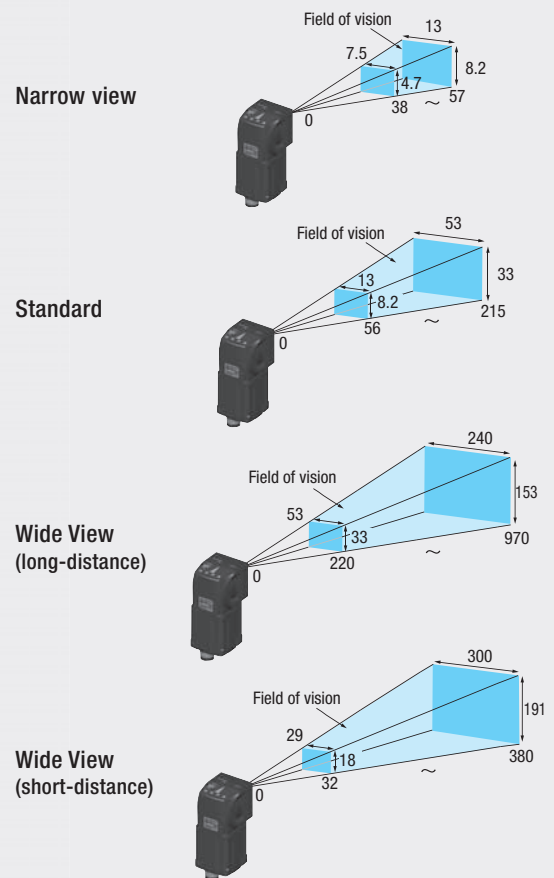
Displays the most recent 1,000 cell recognition rate in graph form.

## Commissioning and Operation



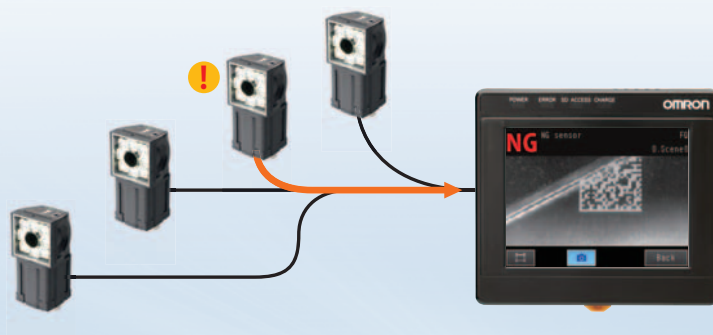
### Match your field of view

No matter whether you handle large or small workpieces, the range of Omron FQ-CR Code Readers offers a perfect match. Select the FQ-CR model with the appropriate range and adjust the field of view to your application. Focusing is quick and easy too, enabling you to use the sensor for a variety of applications.



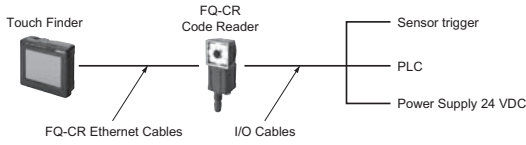
### Automatic Notification of NGs

If you leave the Touch Finder installed on-site, the recent NG sensor display is very useful. Even if you are monitoring more than one Code Reader with the Touch Finder, the display automatically changes to the Code Reader where an NG occurred so that you can quickly confirm conditions.

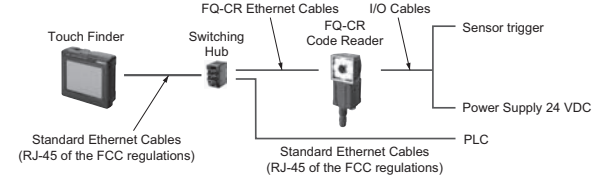


# System Configuration

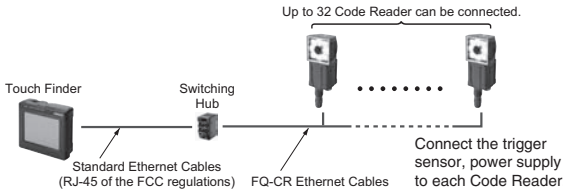
## Connections for One Code Reader Control by parallel input/output



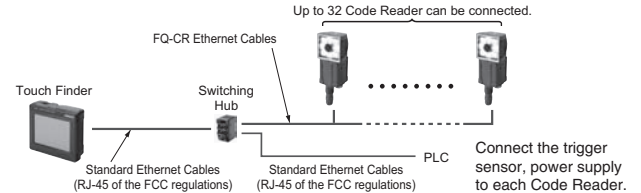
## Control by Ethernet



## Connections for Multiple Code Reader Control by parallel input/output



## Control by Ethernet

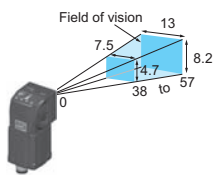


**Note:** If you register as a member after purchasing a Code Reader, you can download the free set-up software TouchFinder for PC that runs on a PC and can be used in place of the Touch Finder. Refer to the member registration sheet for details.

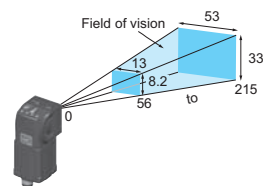
## Ordering Information

### Code Reader

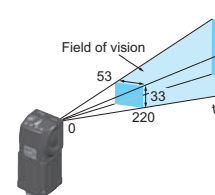
#### Narrow View



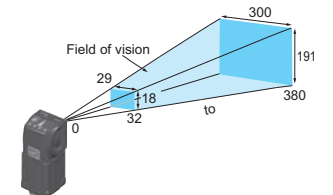
#### Standard



#### Wide View (Long-distance)



#### (Short-distance)



(Unit: mm)

	2D Code Reader	Multi Code Reader		2D Code Reader	Multi Code Reader
NPN	FQ-CR20010F-M	FQ-CR10010F-M	NPN	FQ-CR20050F-M	FQ-CR10050F-M
PNP	FQ-CR25010F-M	FQ-CR15010F-M	PNP	FQ-CR25050F-M	FQ-CR15050F-M

	2D Code Reader	Multi Code Reader
NPN	FQ-CR20100F-M	FQ-CR10100F-M
PNP	FQ-CR25100F-M	FQ-CR15100F-M

	2D Code Reader	Multi Code Reader
NPN	FQ-CR20100N-M	FQ-CR10100N-M
PNP	FQ-CR25100N-M	FQ-CR15100N-M

**Note:** Tolerance (field of vision): ±10% max.

### Touch Finder

Type	Model
DC power supply	FQ2-D30
AC/DC/battery	FQ2-D31 (See note.)

**Note:** AC Adapter and Battery are sold separately.

### Cables (Robot cable)

Type	Cable length	Model
FQ Ethernet Cables (connect Code Reader to Touch Finder, Code Reader to PC)	2 m	FQ-WN002
	10 m	FQ-WN010
	20 m	FQ-WN020
I/O Cables	2 m	FQ-WD002
	10 m	FQ-WD010
	20 m	FQ-WD020

### Industrial Switching Hubs (Recommended)

Appearance	Number of ports	Failure detection	Current consumption	Model
	3	None	0.22 A	W4S1-03B
	5	None	0.22 A	W4S1-05B
		Supported		W4S1-05C

### Accessories

Application	Appearance	Name	Model
For Code Reader		Mounting Bracket (enclosed with Code Reader)	FQ-XL
		Mounting Bracket for high-precision sensing #1 (sold separately)	FQ-XL2
		Polarizing Filter Attachment (enclosed with Code Reader)	FQ-XF1
For Touch Finder		Panel Mounting Adapter	FQ-XPM
		AC Adapter (for models for DC/AC/Battery)	FQ-AC1
		Battery #2 (for models for DC/AC/Battery)	FQ-BAT1
		Touch Pen (enclosed with Touch Finder)	FQ-XT
		Strap	FQ-XH
		SD Card (2 GB)	HMC-SD291

\*1. A mounting Bracket with improved resistance to vibrations and other external stresses that cause displacement of the optical axis and field of view.

\*2. The Battery uses a lithium ion secondary battery. Confirm any applicable laws and regulations in the destination country if you export the Battery.

## Code Reader

Item	Type	2D Code Reader	Multi Code Reader
Model	NPN	FQ-CR20□□□□-M	FQ-CR10□□□□-M
	PNP	FQ-CR25□□□□-M	FQ-CR15□□□□-M
Field of vision		Refer to the table below.	
Installation distance			
Minimum resolution		FQ-CR2□010F-M/-CR1□010F-M: 0.040 mm FQ-CR2□050F-M/-CR1□050F-M: 0.070 mm FQ-CR2□100F-M/-CR1□100F-M: 0.282 mm FQ-CR2□100N-M/-CR1□100N-M: 0.155 mm	
Main functions	Code	2D Code (DataMatrix (EC200), QR Code)	2D Code (DataMatrix (EC200), QR Code, MicroQR Code, PDF417, MicroPDF417, GS1-DataMatrix) Bar code (JAN/EAN/UPC, Code39, Codabar (NW-7), ITF (Interleaved 2 of 5), Code 93, Code128/GS1-128, GS1 DataBar* (Truncated, Stacked, Omni-directional, Stacked Omni-directional, Limited, Expanded and Expanded Stacked), Pharmacode and GS1-128 Composite Code (CC-A, CC-B, CC-C))
	Image filter	Filter function (Smooth, Dilate, Erosion,Median), Retry function, Code Error Correction Position Display	None
	Verification function	None	Supported
	Number of simultaneous inspections	32	
	Number of registered scenes	32	
Image input	Image filter	High dynamic range (HDR), polarizing filter (attachment)	
	Image elements	1/3-inch monochrome CMOS	
	Shutter	1/250 to 1/32,258 s	1/250 to 1/30,000 s
	Processing resolution	752 × 480	
Lighting	Lighting method	Pulse	
	Lighting color	White	
	LED class	Risk Group 2 (IEC62471)	
Data logging	Measurement data	In Code Reader:1,000 items (If a Touch Finder is used, results can be saved up to the capacity of an SD card.)	
	Images	In Code Reader:20 images (If a Touch Finder is used, images can be saved up to the capacity of an SD card.)	
Measurement trigger		External trigger (single or continuous)	
I/O specifications	Input signals	7 signals • Single measurement input (TRIG) • Control command inputs (IN0 to IN5)	
	Output signals	3 signals • Control output (BUSY) • Overall judgement output (OR) • Error output (ERROR) <b>Note:</b> The three output signals can be allocated for the judgements of individual inspection items.	
	Ethernet specification	Numerical outputs and control commands are supported with no-protocol communications. 100BASE-TX/10BASE-T	
	Connection method	Special connector cables • Power supply and I/O: 1 cable (FQ-WD□□□□) • Touch Finder and computer: 1 cable (FQ-WN□□□□)	
Ratings	Power supply voltage	21.6 to 26.4 VDC (including ripple)	
	Current consumption	2.4 A max.	
Environmental immunity	Ambient temperature range	Operating: 0 to 50°C Storage: -25 to 65°C (with no icing or condensation)	
	Ambient humidity range	Operating and storage: 35% to 85% (with no condensation)	
	Ambient atmosphere	No corrosive gas	
	Degree of protection	IEC 60529 IP67 (Except when Polarizing Filter Attachment is mounted.)	
Materials		Code Reader: PBT, PC, SUS Mounting Bracket: PBT Polarizing Filter Attachment: PBT, PC Ethernet connector: Oil-resistance vinyl compound I/O connector: Lead-free heat-resistant PVC	
Accessories		<ul style="list-style-type: none"> <li>Mounting Bracket (FQ-XL) (1)</li> <li>Polarizing Filter Attachment (FQ-XF1) (1)</li> <li>Instruction Manual</li> </ul> <ul style="list-style-type: none"> <li>Member registration sheet</li> </ul>	

2D Code Reader		Multi Code Reader		Field of view (See note) (Horizontal × Vertical)	Installation distance	Weight
NPN	PNP	NPN	PNP			
FQ-CR20010F-M	FQ-CR25010F-M	FQ-CR10010F-M	FQ-CR15010F-M	7.5 × 4.7 to 13 × 8.2 mm	38 to 57 mm	200 g max.
FQ-CR20050F-M	FQ-CR25050F-M	FQ-CR10050F-M	FQ-CR15050F-M	13 × 8.2 to 53 × 33 mm	56 to 215 mm	
FQ-CR20100F-M	FQ-CR25100F-M	FQ-CR10100F-M	FQ-CR15100F-M	53 × 33 to 240 × 153 mm	Long-distance model: 220 to 970 mm	
FQ-CR20100N-M	FQ-CR25100N-M	FQ-CR10100N-M	FQ-CR15100N-M	29 × 18 to 300 × 191 mm	Short-distance model: 32 to 380 mm	

**Note:** Tolerance: ±10% max.

## Touch Finder

Item	Model	Type	Model with DC power supply	Model with AC/DC/battery power supply
			FQ2-D30	FQ2-D31
Number of connectable Sensor			Number of sensors that can be recognized (switched): 32 max. number of sensor that can be displayed on monitor: 8 max.	
Main functions	Types of measurement displays		Last result display, Last NG display, trend monitor, histograms	
	Types of display images		Through, frozen, zoom-in, and zoom-out images	
	Data logging		Measurement results, measured images	
	Menu language		English, German, French, Italian, Spanish, Traditional Chinese, Simplified Chinese, Korean, Japanese	
Indications	LCD	Display device	3.5-inch TFT color LCD	
		Pixels	320 × 240	
		Display colors	16.7 million	
	Backlight	Life expectancy *1	50,000 hours at 25°C	
		Brightness adjustment	Provided	
		Screen saver	Provided	
Operation interface	Touch screen	Method	Resistance film	
		Life expectancy *2	1,000,000 touch operations	
External interface	Ethernet		100BASE-TX/10BASE-T	
	SD card		SDHC-compliant, Class 4 or higher recommended	
Ratings	Power supply voltage		DC power connection: 21.6 to 26.4 VDC (including ripple)	DC power connection: 21.6 to 26.4 VDC (including ripple) AC adapter (manufactured by Sino-American Japan Co., Ltd) connection: 100 to 240 VAC, 50/60 Hz Battery connection: FQ-BAT1 Battery (1cell, 3.7 V)
	Continuous operation on Battery *3		---	1.5 h
	Power consumption		DC power connection: 0.2 A max.	DC power connection: 0.2 A max. Charging battery: 0.4 A max.
Environmental immunity	Ambient temperature range		Operating: 0 to 50°C Storage: -25 to 65°C (with no icing or condensation)	Operating: 0 to 50°C when mounted to DIN Track or panel Operation on Battery: 0 to 40°C Storage: -25 to 65°C (with no icing or condensation)
	Ambient humidity range		Operating and storage: 35% to 85% (with no condensation)	
	Ambient atmosphere		No corrosive gas	
	Vibration resistance (destruction)		10 to 150 Hz, single amplitude: 0.35 mm, X/Y/Z directions 8 min each, 10 times	
	Shock resistance (destruction)		150 m/s <sup>2</sup> 3 times each in 6 direction (up, down, right, left, forward, and backward)	
	Degree of protection		IEC 60529 IP20 (when SD card cover, connector cap, or harness is attached)	
Weight			Approx. 270 g (without Battery and hand strap attached)	
Materials			Case: ABS	
Accessories included with Touch Finder			Touch Pen (FQ-XT), Instruction Manual	

\*1. This is a guideline for the time required for the brightness to diminish to half the initial brightness at room temperature and humidity. The life of the backlight is greatly affected by the ambient temperature and humidity and will be shorter at lower or higher temperatures.

\*2. This value is only a guideline. No guarantee is implied. The value will be affected by operating conditions.

\*3. This value is only a guideline. No guarantee is implied. The value will be affected by the operating environment and operating conditions.

## Battery Specifications

Item	Model	FQ-BAT1
Battery type		Secondary lithium ion battery
Nominal capacity		1,800 mAh
Rated voltage		3.7 V
Ambient temperature range		Operating: 0 to 40°C Storage: -25 to 65°C (with no icing or condensation)
Ambient humidity range		Operating and storage: 35% to 85% (with no condensation)
Charging method		Charged in Touch Finder (FQ-D31). AC adapter (FQ-AC□) is required.
Charging time (See note 1.)		2 h
Battery backup life (See note 2.)		300 charging cycles
Weight		50 g max.

**Note: 1.** This value is only a guideline. No guarantee is implied. The value will be affected by operating conditions

**2.** This is a guideline for the time required for the capacity of the Battery to be reduced to 60% of the initial capacity. No guarantee is implied. The value will be affected by the operating environment and operating conditions.

## System Requirements for TouchFinder for PC

The following Personal Computer system is required to use the software.

OS	Microsoft Windows XP Home Edition/Professional SP2 or higher (See note 1.) Microsoft Windows 7 Home Premium or higher (See note 1.)
CPU	Core 2 Duo 1.06 GHz or the equivalent or higher
RAM	1GB min.
HDD	500 MB min. available space (See note 2.)
Monitor	1,024 × 768 dots min.

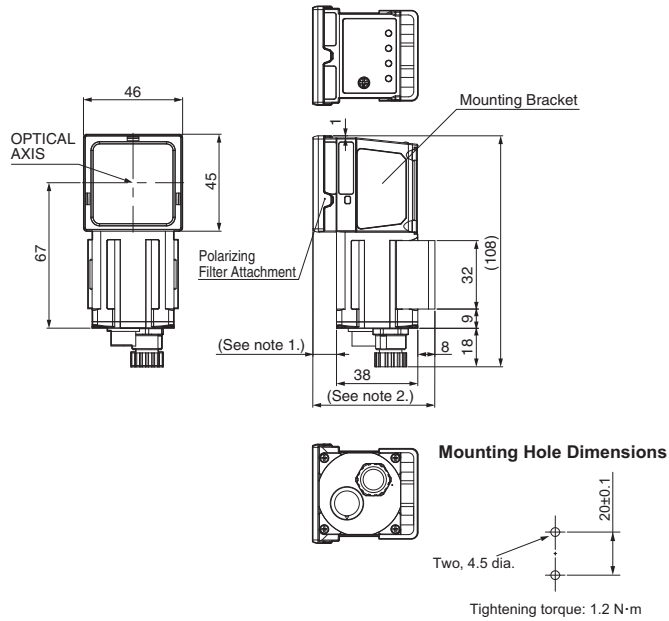
**Note: 1.** The Japanese and English versions support only 32-bit OS versions.

**2.** Available space is also required separately for data logging.

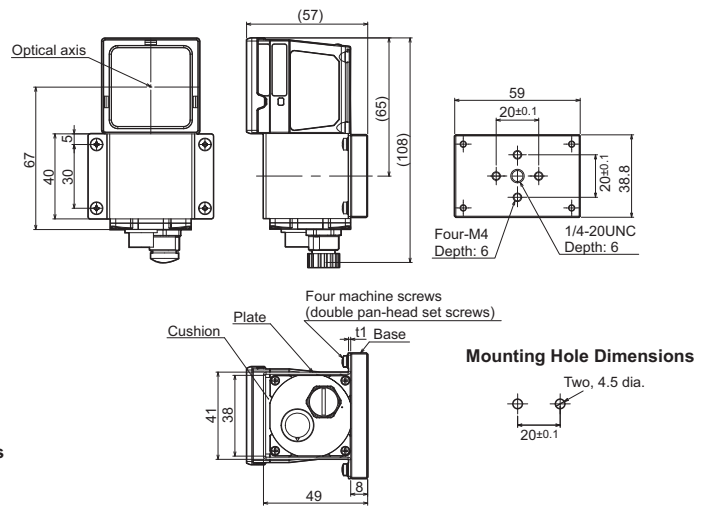
## Code Reader (Dimensional drawings are provided here only for the products that have undergone design changes as of June 2012.)

### FQ-CR

#### Mounting with the FQ-XL Mounting Bracket



#### Mounting with the FQ-XL2 Mounting Bracket

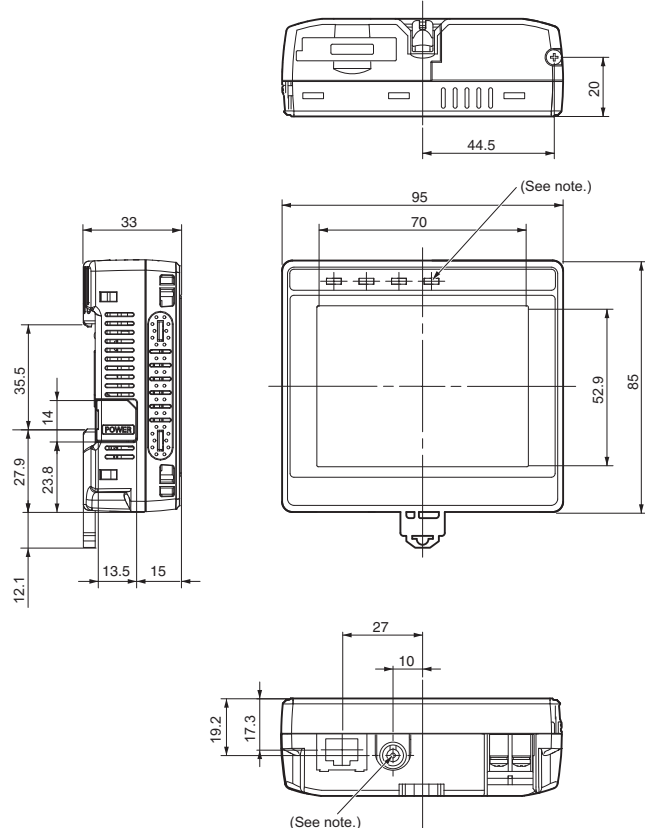


\* Dimensions with the FQ-XL Mounting Bracket

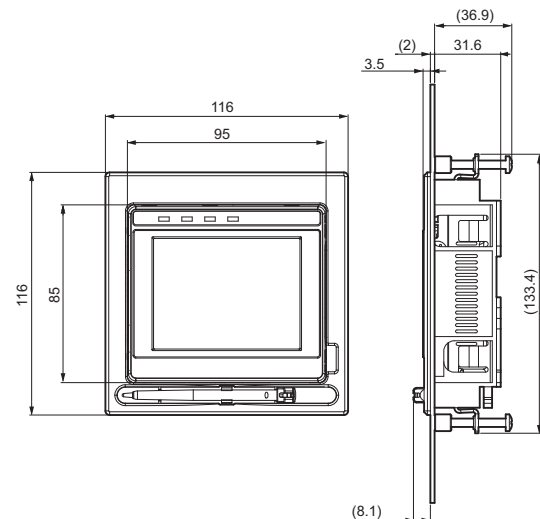
Type	Model	Note 1.	Note 2.
Narrow View, Standard	FQ-CR1□010F-M/-CR2□010F-M/ -CR1□050F-M/-CR2□050F-M	11	57
Wide View	FQ-CR1□100F-M/-CR2□100F-M/ -CR1□100N-M/-CR2□100N-M	3	49

## Touch Finder

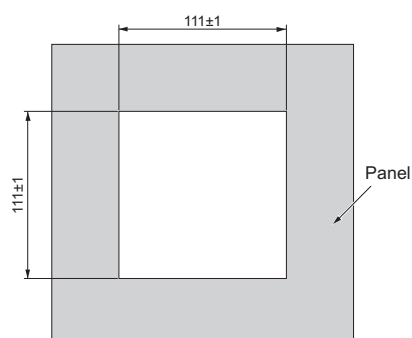
### FQ2-D30/-D31



#### Panel Mounting Adapter



#### Panel Cutout Dimensions



**Note:** Provided with FQ2-D31 only.

## **READ AND UNDERSTAND THIS DOCUMENT**

Please read and understand this document before using the products. Please consult your OMRON representative if you have any questions or comments.

## **WARRANTY**

OMRON's exclusive warranty is that the products are free from defects in materials and workmanship for a period of one year (or other period if specified) from date of sale by OMRON.

OMRON MAKES NO WARRANTY OR REPRESENTATION, EXPRESS OR IMPLIED, REGARDING NON-INFRINGEMENT, MERCHANTABILITY, OR FITNESS FOR PARTICULAR PURPOSE OF THE PRODUCTS. ANY BUYER OR USER ACKNOWLEDGES THAT THE BUYER OR USER ALONE HAS DETERMINED THAT THE PRODUCTS WILL SUITABLY MEET THE REQUIREMENTS OF THEIR INTENDED USE. OMRON DISCLAIMS ALL OTHER WARRANTIES, EXPRESS OR IMPLIED.

## **LIMITATIONS OF LIABILITY**

OMRON SHALL NOT BE RESPONSIBLE FOR SPECIAL, INDIRECT, OR CONSEQUENTIAL DAMAGES, LOSS OF PROFITS OR COMMERCIAL LOSS IN ANY WAY CONNECTED WITH THE PRODUCTS, WHETHER SUCH CLAIM IS BASED ON CONTRACT, WARRANTY, NEGLIGENCE, OR STRICT LIABILITY.

In no event shall responsibility of OMRON for any act exceed the individual price of the product on which liability is asserted.

IN NO EVENT SHALL OMRON BE RESPONSIBLE FOR WARRANTY, REPAIR, OR OTHER CLAIMS REGARDING THE PRODUCTS UNLESS OMRON'S ANALYSIS CONFIRMS THAT THE PRODUCTS WERE PROPERLY HANDLED, STORED, INSTALLED, AND MAINTAINED AND NOT SUBJECT TO CONTAMINATION, ABUSE, MISUSE, OR INAPPROPRIATE MODIFICATION OR REPAIR.

## **SUITABILITY FOR USE**

THE PRODUCTS CONTAINED IN THIS DOCUMENT ARE NOT SAFETY RATED. THEY ARE NOT DESIGNED OR RATED FOR ENSURING SAFETY OF PERSONS, AND SHOULD NOT BE RELIED UPON AS A SAFETY COMPONENT OR PROTECTIVE DEVICE FOR SUCH PURPOSES. Please refer to separate catalogs for OMRON's safety rated products.

OMRON shall not be responsible for conformity with any standards, codes, or regulations that apply to the combination of products in the customer's application or use of the product.

At the customer's request, OMRON will provide applicable third party certification documents identifying ratings and limitations of use that apply to the products. This information by itself is not sufficient for a complete determination of the suitability of the products in combination with the end product, machine, system, or other application or use.

The following are some examples of applications for which particular attention must be given. This is not intended to be an exhaustive list of all possible uses of the products, nor is it intended to imply that the uses listed may be suitable for the products:

- Outdoor use, uses involving potential chemical contamination or electrical interference, or conditions or uses not described in this document.
- Nuclear energy control systems, combustion systems, railroad systems, aviation systems, medical equipment, amusement machines, vehicles, safety equipment, and installations subject to separate industry or government regulations.
- Systems, machines, and equipment that could present a risk to life or property.

Please know and observe all prohibitions of use applicable to the products.

NEVER USE THE PRODUCTS FOR AN APPLICATION INVOLVING SERIOUS RISK TO LIFE OR PROPERTY WITHOUT ENSURING THAT THE SYSTEM AS A WHOLE HAS BEEN DESIGNED TO ADDRESS THE RISKS, AND THAT THE OMRON PRODUCT IS PROPERLY RATED AND INSTALLED FOR THE INTENDED USE WITHIN THE OVERALL EQUIPMENT OR SYSTEM.

## **PERFORMANCE DATA**

Performance data given in this document is provided as a guide for the user in determining suitability and does not constitute a warranty. It may represent the result of OMRON's test conditions, and the users must correlate it to actual application requirements. Actual performance is subject to the OMRON Warranty and Limitations of Liability.

## **CHANGE IN SPECIFICATIONS**

Product specifications and accessories may be changed at any time based on improvements and other reasons.

It is our practice to change model numbers when published ratings or features are changed, or when significant construction changes are made. However, some specifications of the product may be changed without any notice. When in doubt, special model numbers may be assigned to fix or establish key specifications for your application on your request. Please consult with your OMRON representative at any time to confirm actual specifications of purchased products.

## **DIMENSIONS AND WEIGHTS**

Dimensions and weights are nominal and are not to be used for manufacturing purposes, even when tolerances are shown.

## **ERRORS AND OMISSIONS**

The information in this document has been carefully checked and is believed to be accurate; however, no responsibility is assumed for clerical, typographical, or proofreading errors, or omissions.

## **PROGRAMMABLE PRODUCTS**

OMRON shall not be responsible for the user's programming of a programmable product, or any consequence thereof.

## **COPYRIGHT AND COPY PERMISSION**

This document shall not be copied for sales or promotions without permission.

This document is protected by copyright and is intended solely for use in conjunction with the product. Please notify us before copying or reproducing this document in any manner, for any other purpose. If copying or transmitting this document to another, please copy or transmit it in its entirety.

**Note: Do not use this document to operate the Unit.**

**OMRON Corporation Industrial Automation Company**  
Tokyo, JAPAN

Contact: [www.ia.omron.com](http://www.ia.omron.com)

### ***Regional Headquarters***

#### **OMRON EUROPE B.V.**

Wegalaan 67-69-2132 JD Hoofddorp  
The Netherlands  
Tel: (31)2356-81-300/Fax: (31)2356-81-388

#### **OMRON ASIA PACIFIC PTE. LTD.**

No. 438A Alexandra Road # 05-05/08 (Lobby 2),  
Alexandra Technopark,  
Singapore 119967  
Tel: (65) 6835-3011/Fax: (65) 6835-2711

#### **OMRON ELECTRONICS LLC**

One Commerce Drive Schaumburg,  
IL 60173-5302 U.S.A.  
Tel: (1) 847-843-7900/Fax: (1) 847-843-7787

#### **OMRON (CHINA) CO., LTD.**

Room 2211, Bank of China Tower,  
200 Yin Cheng Zhong Road,  
PuDong New Area, Shanghai, 200120, China  
Tel: (86) 21-5037-2222/Fax: (86) 21-5037-2200

**Authorized Distributor:**

© OMRON Corporation 2011 All Rights Reserved.  
In the interest of product improvement,  
specifications are subject to change without notice.

CSM\_14\_1\_0615  
Cat. No. Q186-E1-01

0811 (0811)